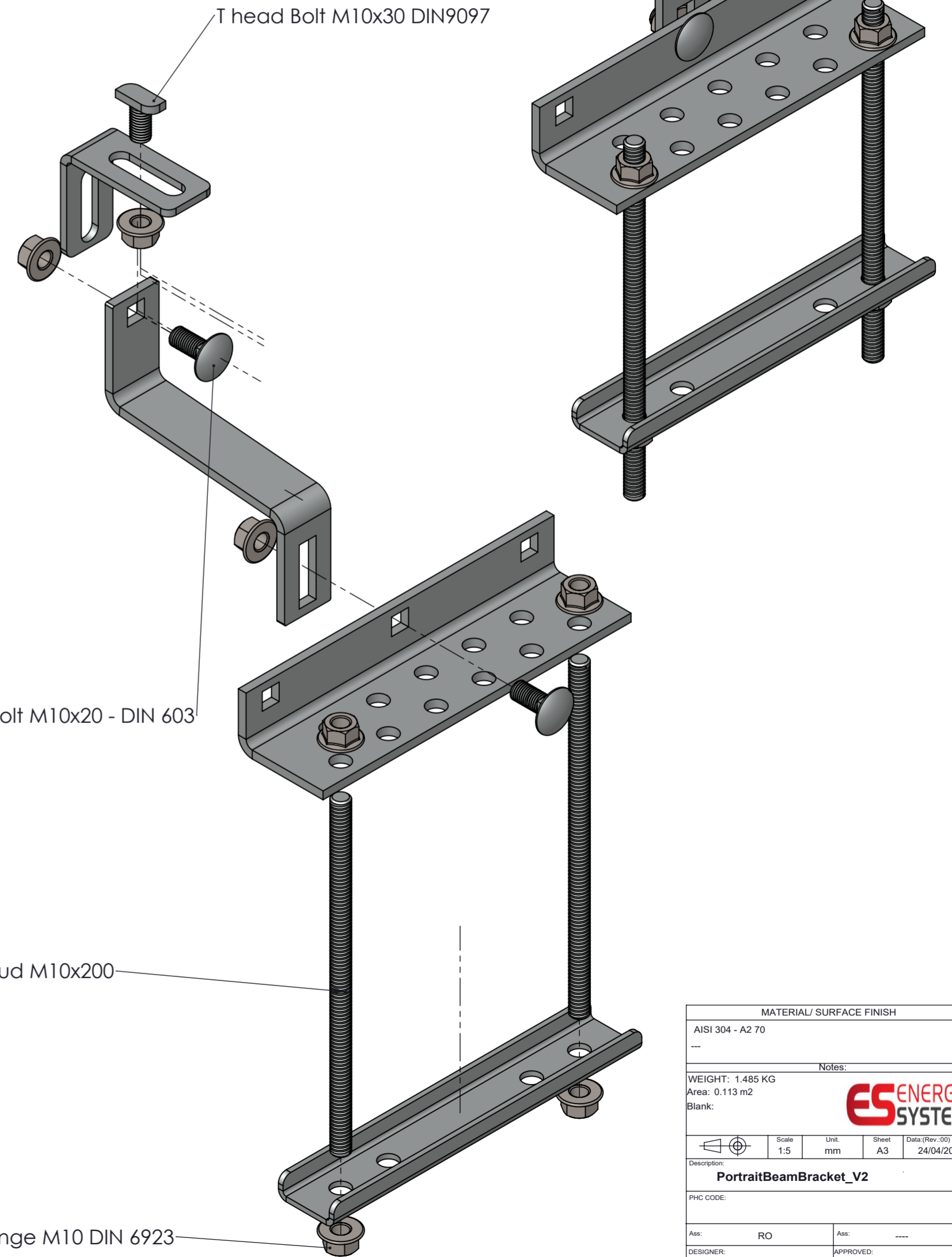
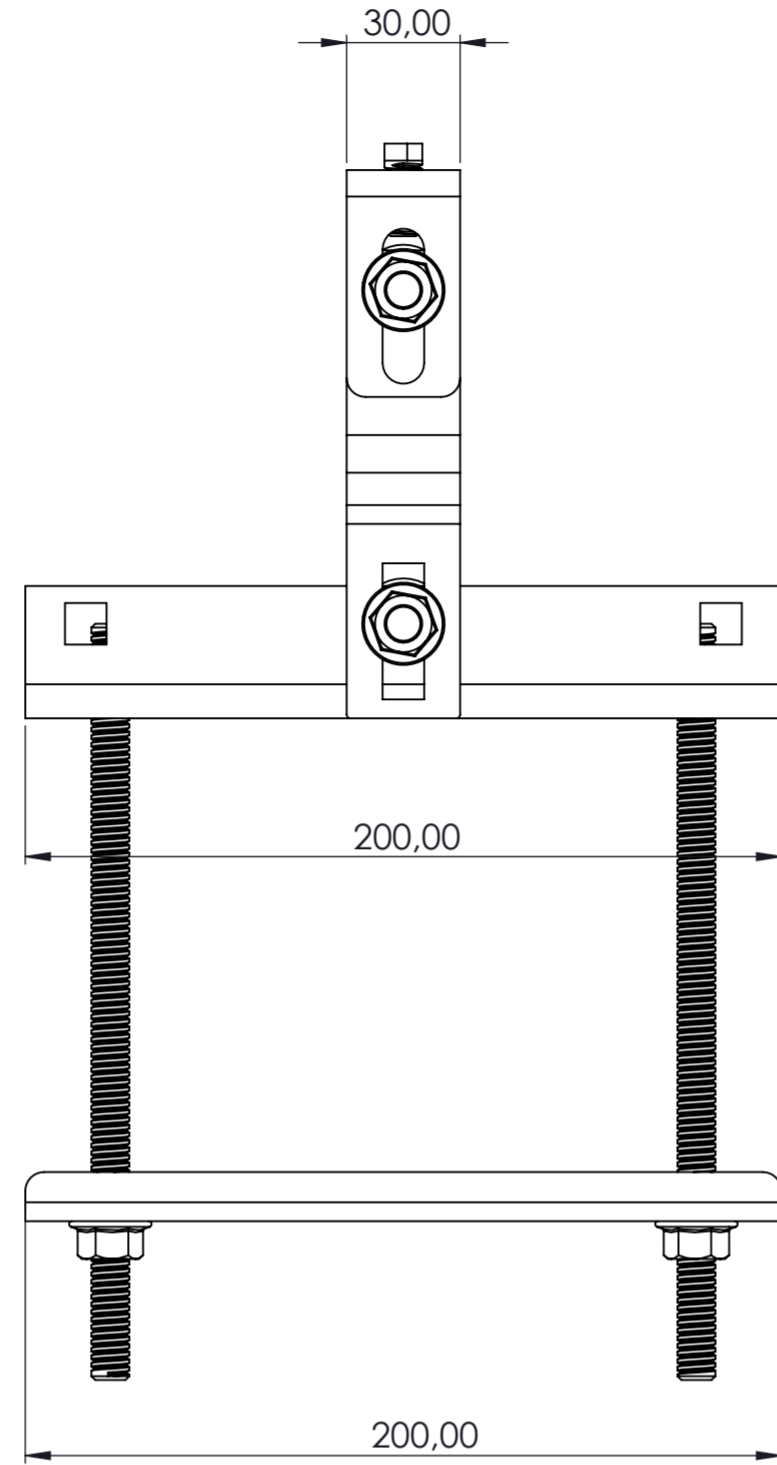
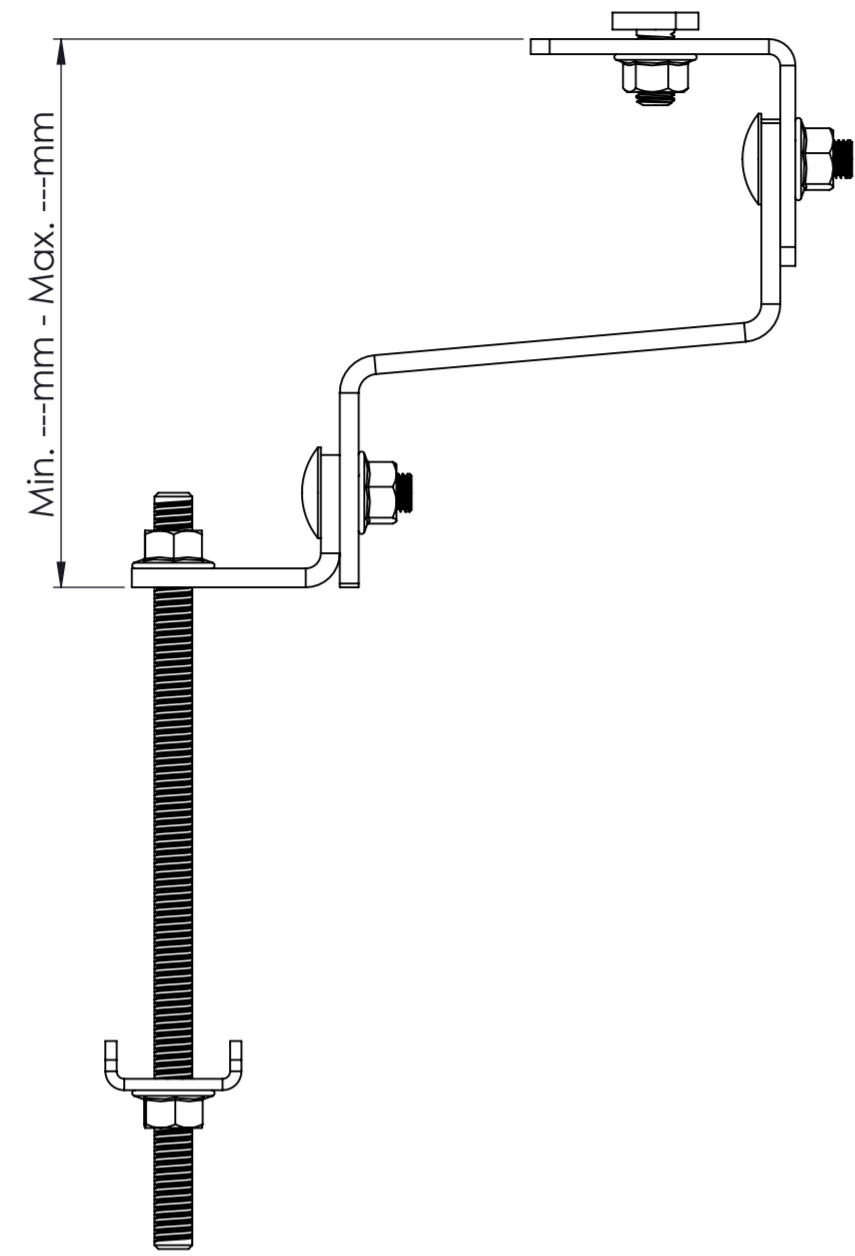


Product Engineer

J
I
H
G
F
E
D
C
B
A

Reviews			
HP	DATA	ASS. Designer	Description



MATERIAL/ SURFACE FINISH				
AISI 304 - A2 70				

Notes:				
WEIGHT: 1.485 KG				
Area: 0.113 m2				
Blank:				
ES ENERGY SYSTEMS				
Description:				
PortraitBeamBracket_V2				
PHC CODE:				
Asst: RO Asst: ----				
DESIGNER: Ricardo Oliveira APPROVED: ----				
Project Number: ----				
Customer: ----				

1 2 3 4 5 6 7 8 9 10