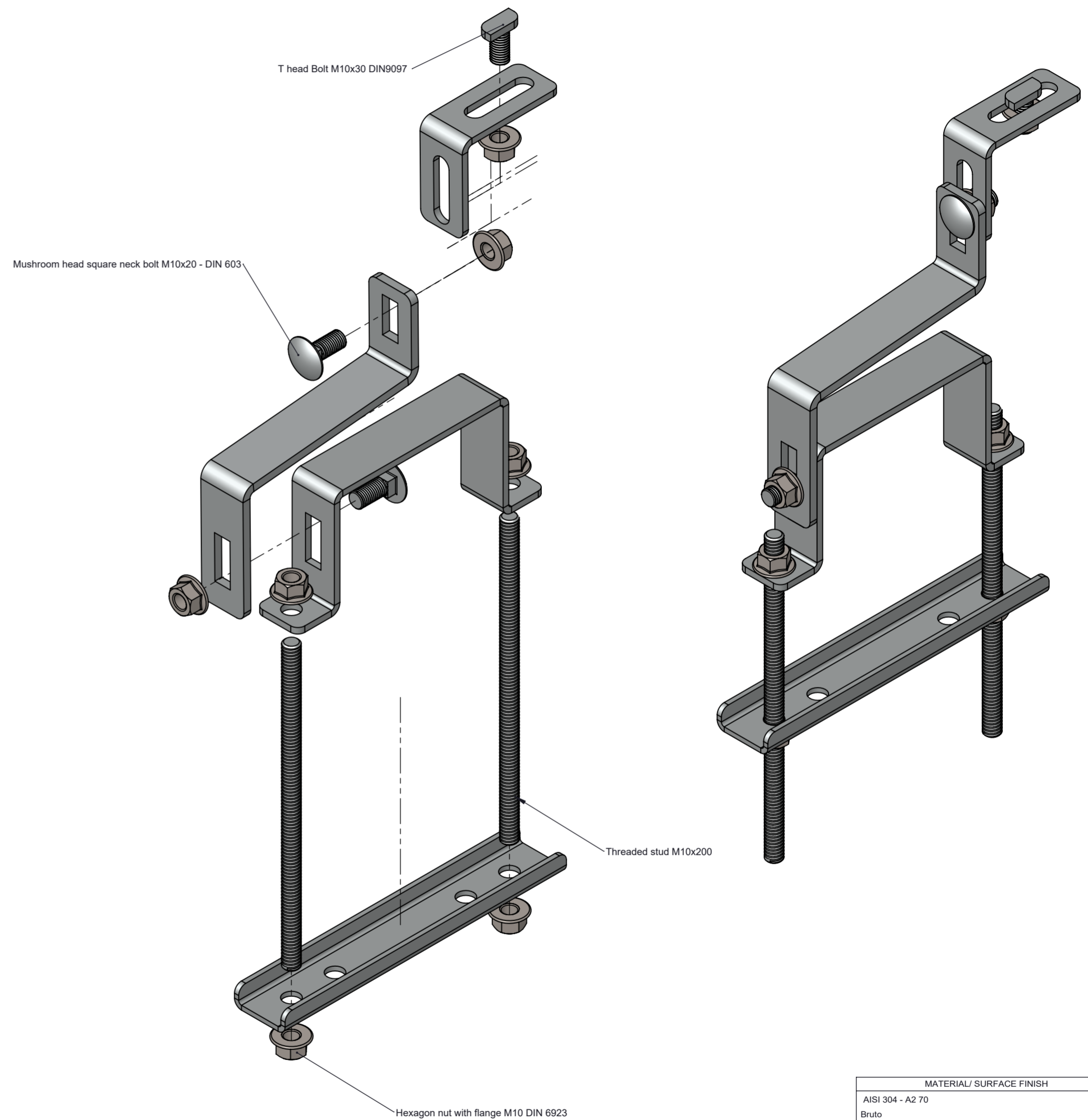
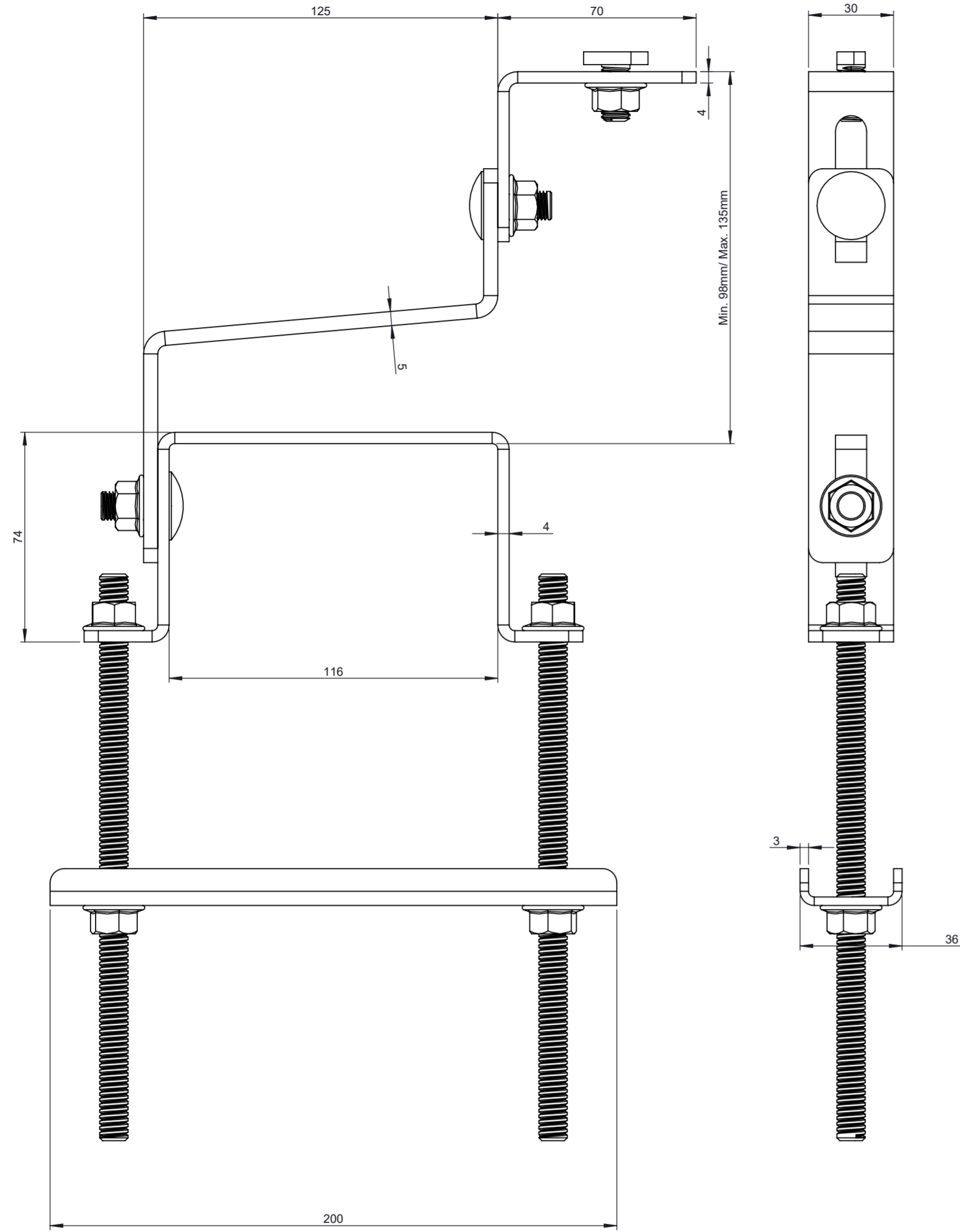


Product Engineer

J
I
H
G
F
E
D
C
B
A



Reviews			
HP	DATA	ASS. Designer	Description

MATERIAL/ SURFACE FINISH					
AISI 304 - A2 70					
Bruto					
Notes:					
WEIGHT: 1.19 KG					
Area: 0.10 m2					
Blank:					
ES ENERGY SYSTEMS					
Description:		Scale	Unit	Sheet	Data (Rev. 00)
LandscapeBeamBracket_V2		1:5	mm	A3	24/04/2024
PHC CODE:					
Ass:	RO	Ass:	----		
DESIGNER:	Ricardo Oliveira	APPROVED:	----		
Project Number:	----	Customer:	----		

1 2 3 4 5 6 7 8 9 10