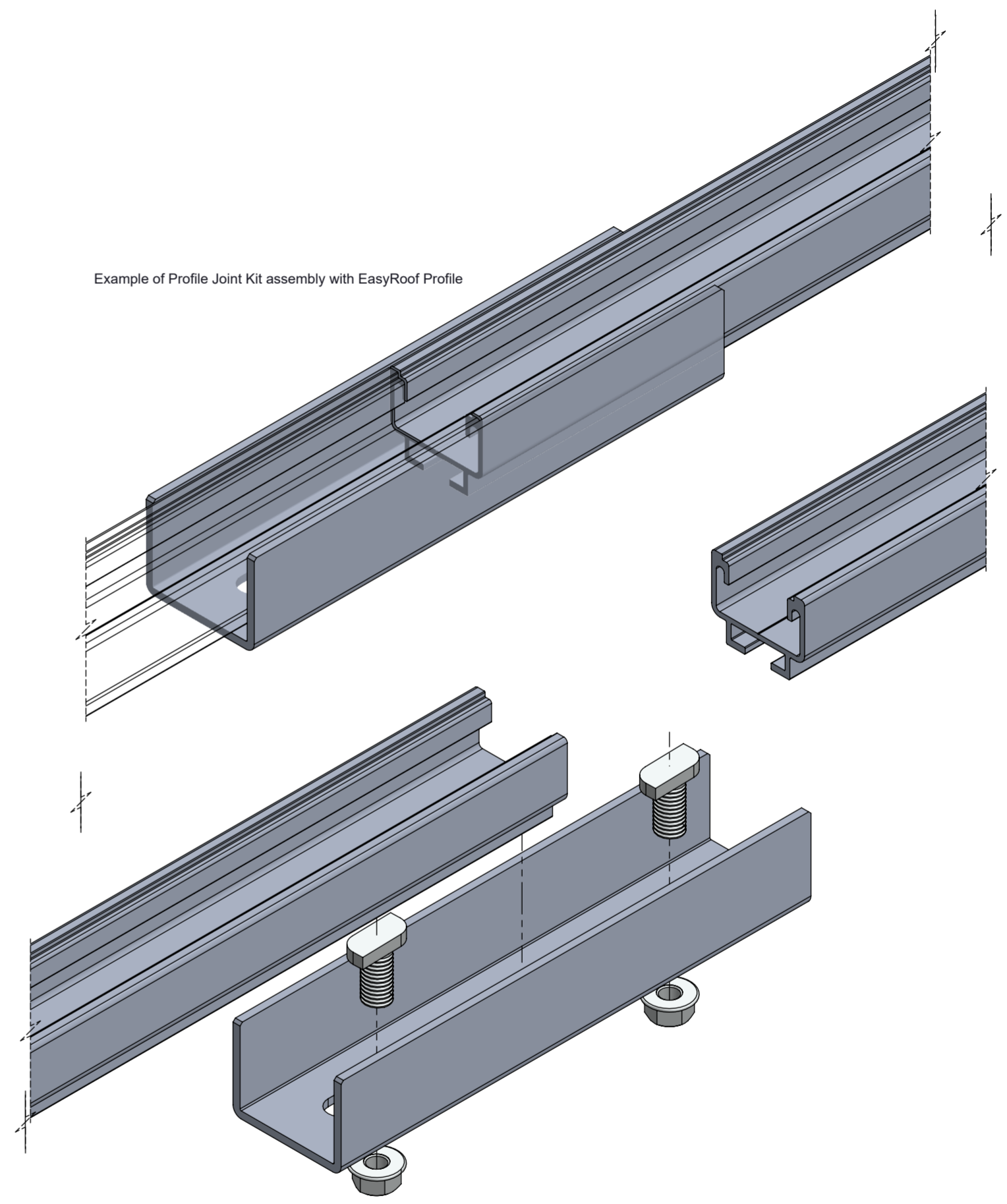
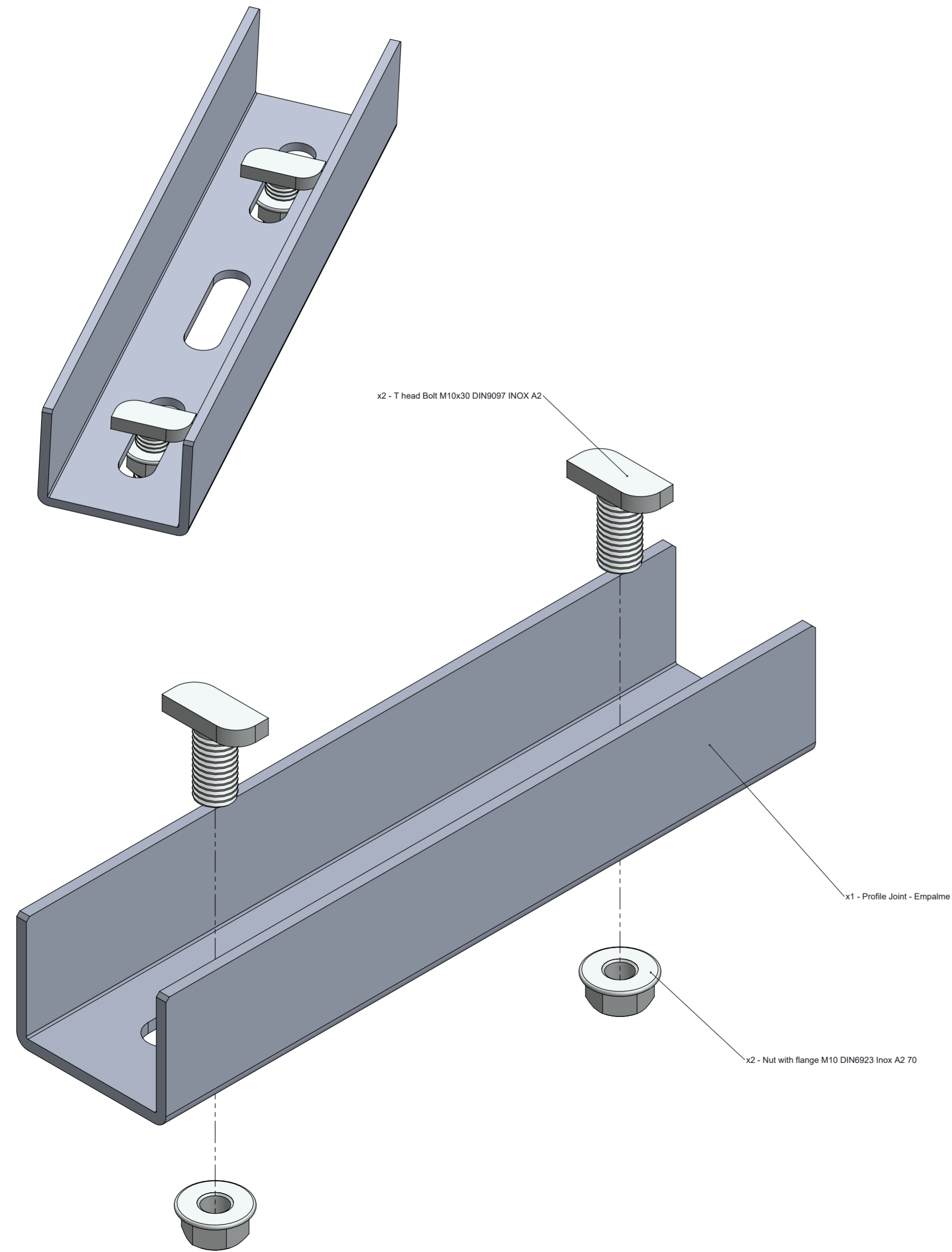


# Kit - Profile Joint/ Empalme

Reviews			
HP	DATA	ASS. Designer	Description

Product Engineer

J  
I  
H  
G  
F  
E  
D  
C  
B  
A



Example of Profile Joint Kit assembly with EasyRoof Profile

MATERIAL/ SURFACE FINISH					
AW 6060 T5 - Inox A2					
----					
Notes:					
WEIGHT: 0.20 KG					
Area: 0.05 m2					
Blank:					
<b>ES ENERGY SYSTEMS</b>					
Description:		Scale	Unit	Sheet	Data (Rev. 00)
KIT_Profile Joint - Empalme		1:5	mm	A3	24/04/2024
PHC CODE:					
Ass: RO		Ass: ----			
DESIGNER: Ricardo Oliveira		APPROVED: ----			
Project Number: ----					
Customer: ----					

1      2      3      4      5      6      7      8      9      10